

Crossroads: Changes in Rural America

Information for Potential Hosts
September 10, 2022 - June 25 2023



Smithsonian
Institution

General Information



- 4 hosting periods for 9-10 weeks
 - September 10, 2022 to November 12, 2022 (9 weeks);
November 19, 2022 to January 28, 2023 (10 weeks);
February 4, 2023 to April 15, 2023 (10 weeks); April 22,
2023 to June 24, 2023 (9 weeks)
- [Exhibit themes](#): identity, land, community, persistence, managing change
- June 4, 2021: [Applications Due](#)
- June and July 2021: Applications Reviewed and Site Visits
- August 6, 2021: Notification and Acceptance
- September 10, 2021: Host Sites Announced

Space Requirements

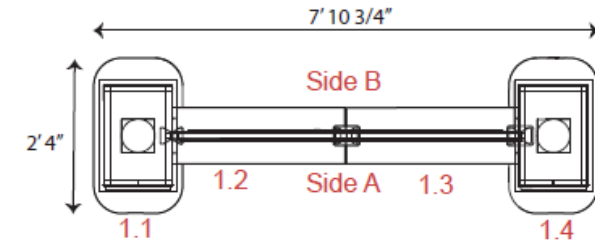


- 750 square feet (less than 28' x 28') for the exhibit
- Ceilings at least 8 feet high
- Doorways over 81.5 inches tall (this is to fit the crates – if doorways are shorter but your organization is interested in hosting please contact Ciera Fisher)
- Gallery, lounge area or other defined, enclosed, interior space with no direct sunlight on the exhibit
- Electrical outlets in the display space
- Ability to move the exhibit to its display area in the building – crates are 150 to 350 lbs
- Ability to store the 15 transport crates indoors (300 square feet – less than 18' x 18') in a secure, dry place

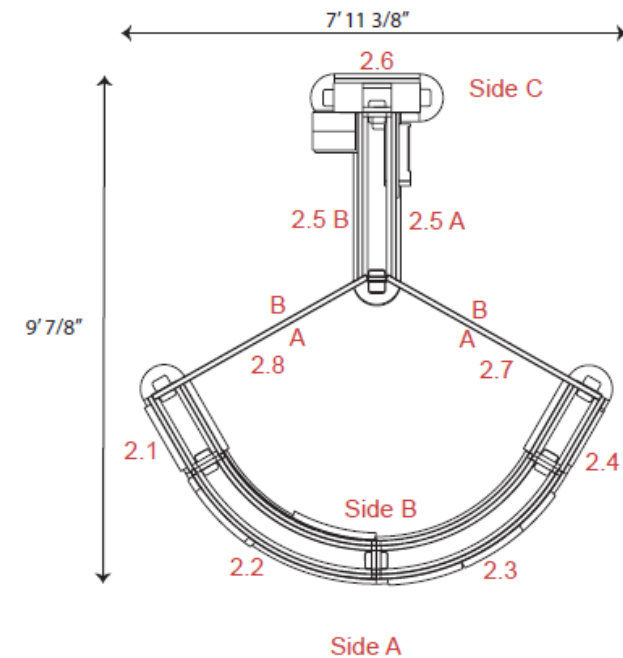
Space Requirements



Crossroads Section 1 Introduction



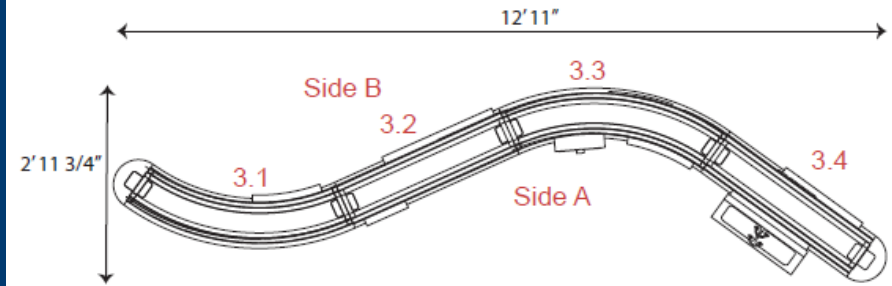
Crossroads Section 2 Identity



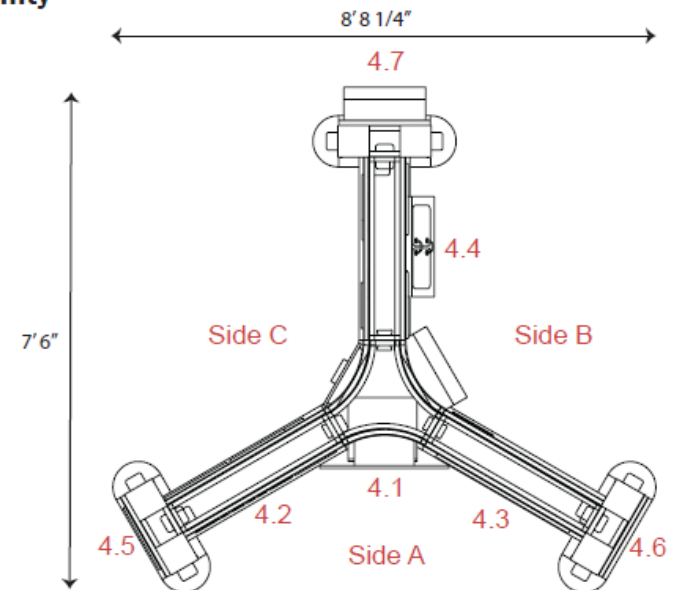
Space Requirements



**Crossroads
Section 3
Land**



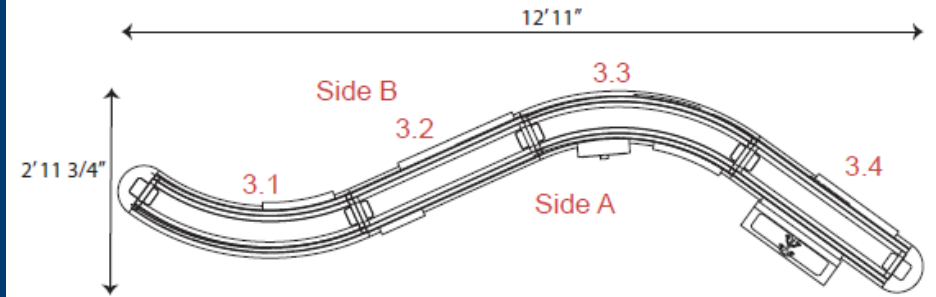
**Crossroads
Section 4
Community**



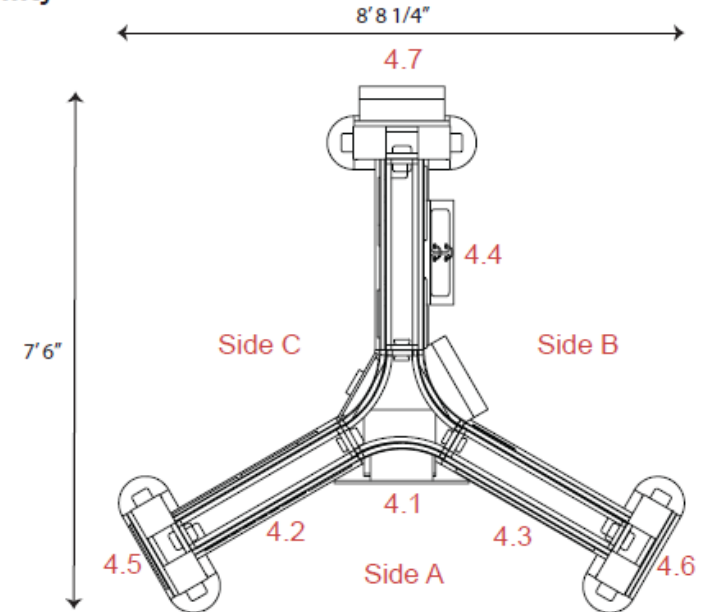
Space Requirements



Crossroads Section 3 Land



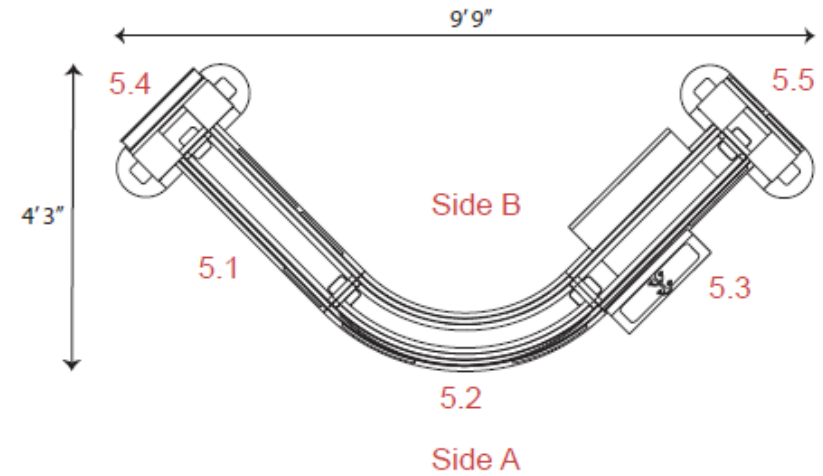
Crossroads Section 4 Community



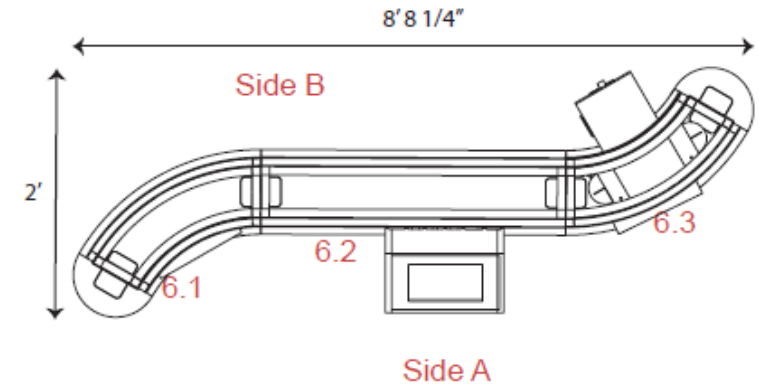
Space Requirements



Crossroads Section 5 Persistence



Crossroads Section 6 Managing Change



Host Requirements



- Assign two project coordinators who can attend a program planning meeting (sometime in the winter of 2022) and the exhibit installation workshop (sometime the week of August 29 or September 5, 2022)
- Have 4-6 individuals to install and deinstall the exhibit
- Complete paperwork and follow up reports
- Provide on-site staff supervision of exhibit during open hours
- Advertise the exhibit widely with sponsor acknowledgement
- Plan and implement public humanities programs related to the exhibit and approved by Delaware Humanities (special funds may be available for this through Delaware Humanities)
- Shipping arrangements

Application

- [Apply here!](#)
- Can save your progress
- [Public programming](#)
- Partners
- Tie in to themes: identity, land, community, persistence, managing change
- How promote
- How fits organization goals



Funds



- Delaware Humanities
 - Exhibit
 - Shipping
 - Potential grant funding for programs
- Host Site
 - Programming
 - Advertising
 - Movers if needed
 - Drivers if needed
 - Any other exhibit costs not covered by DH

Reporting

- Grant Agreement: Due August 13
- Condition Report: Due within 48 hours of receiving the exhibit
- Close Out Report: Due 3 weeks of the exhibit closing at your location
 - Audience Evaluations
 - Gathering Publicity
 - Read before you host!



Resources



- MoMs website: <https://museumonmainstreet.org/content/crossroads>
- Resources: <https://museumonmainstreet.org/content/resources>
- Exhibit text: <https://museumonmainstreet.org/sites/default/files/crossroadsscriptreformatted.pdf>
- Installation video: <https://youtu.be/6QqQ5qdTxiQ>

Between Fences

- Sarah Bucic, Delaware City Project Coordinator for *Between Fences*, 2009



Questions?



Ciera Fisher

Deputy Director and Senior Program Officer

chfisher@dehumanities.org